

Please read the instruction manual carefully before mounting!

Product Type: APPLIQUE

Product No: PL6U

Lamp Type: LED

- 220V / 50 Hz
- Aluminum Body
- PC Diffuser

Application Areas:

- Corridors
- Offices
- Meeting Rooms
- All Indoor Areas

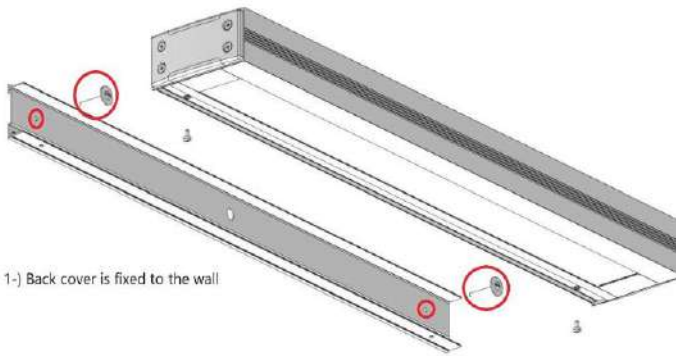
Disposal – Enviromental Protection

Don't throw old electrical products into the household waste. Recycle where facilities exist. Contact your local authorities or dealer for advice.



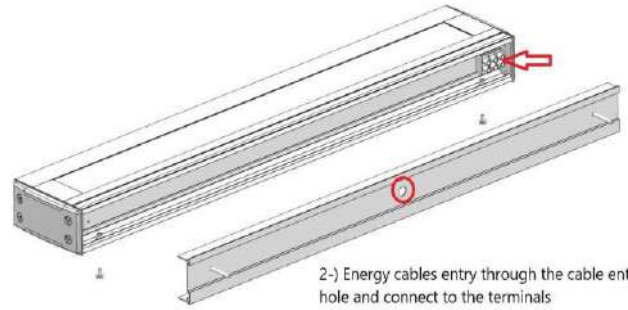
Technical Data:

- PL6U
- IP40
- Wall Mounted
- Tridonic / Osram Driver



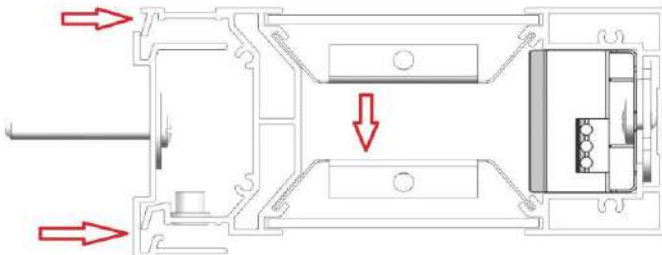
1-) Back cover is fixed to the wall

1



2-) Energy cables entry through the cable entry hole and connect to the terminals

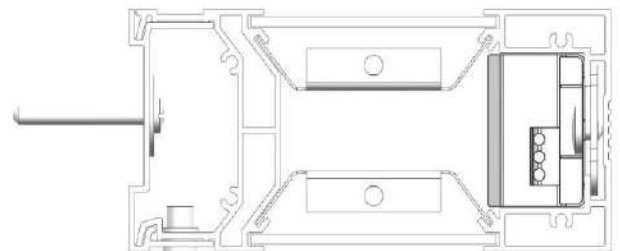
2



3-) The body get on the cover where is fixed to the wall. After that nails inserted in the slots.



3



4-) When the body get on the cover, tightened with fixing screw from the bottom holes.

4