

**LED & T5 Waterproof / Please read the instruction manual carefully before mounting!**

**Product Type:** WATERPROOF

**Product No:** EAL

**Lamp Type:** LED

- 220V / 50 Hz
- Polycarbonate or ABS Body

**Application Areas:**

- Corridors
- Parking Area
- All Outdoor Areas
- All Indoor Areas

**Disposal – Enviromental Protection**

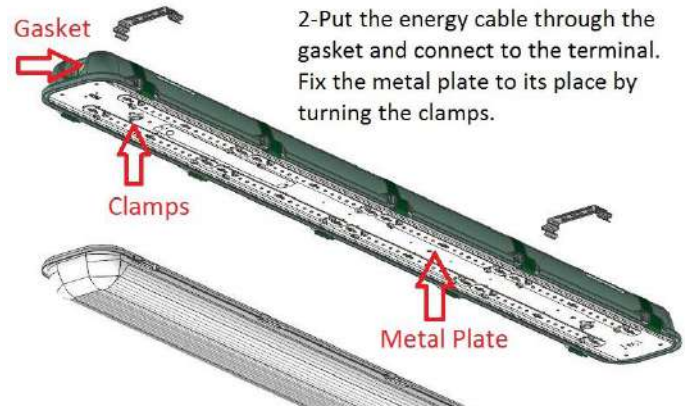
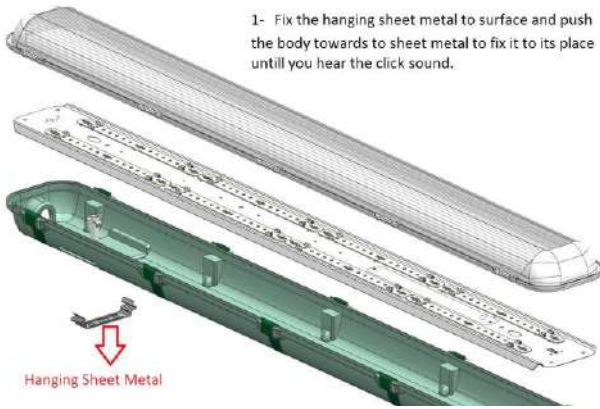
Don't throw old electrical products into the household waste. Recycle where facilities exist. Contact your local authorities or dealer for advice.



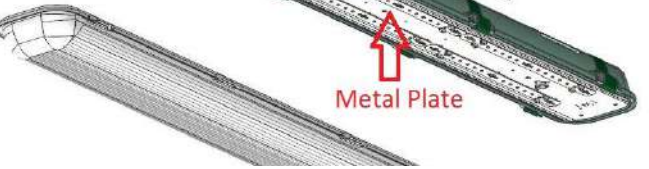
**Technical Data:**

- EAL
- IP65
- Tridonic/Osram Driver

1- Fix the hanging sheet metal to surface and push the body towards to sheet metal to fix it to its place until you hear the click sound.



2-Put the energy cable through the gasket and connect to the terminal. Fix the metal plate to its place by turning the clamps.



3- Fix the diffuser and lock the diffuser clamps to the finalization installation.

