



T5 8698
EN 60598-2-1

TSE 18ATEX0083

EN 60076-0:2012+A11:2013
EN 60076-15:2010



TURKMAK
MADE IN TURKEY
صنع في تركيا



pamir
lighting

www.pamir.com.tr

T8 & T5 Waterproof / Please read the instruction manual carefully before mounting!

Product Type: WATERPROOF

EX-PROOF

Product No: EAX---

Lamp Type: T8 or T5 Fluorescents

- 220V / 50 Hz
- Electronic Ballast

Application Areas:

- Factories
- Boiler Room
- Chemical Production
- Fuel Stations

Disposal – Enviromental Protection

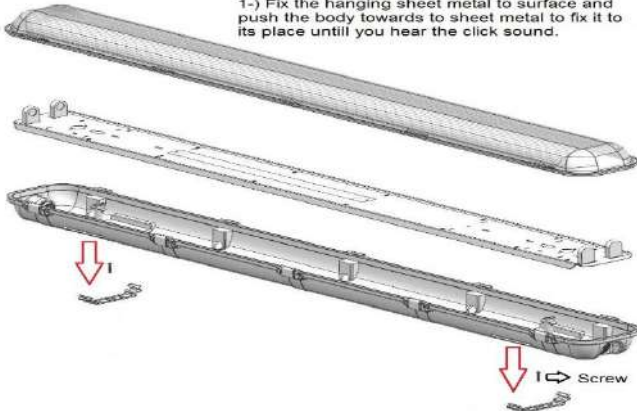
Don't throw old electrical products into the household waste. Recycle where facilities exist. Contact your local authorities or dealer for advice.



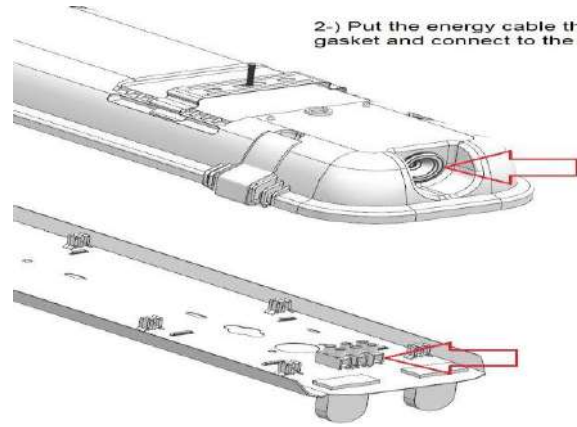
Technical Data:

- EAX Exproof Series
- 2x18W / 2x36W / 2x54W
- IP65
- Zone II 3G Ex nA IIC T4 Gc -20°C≤Tamb≤+40°C IP65

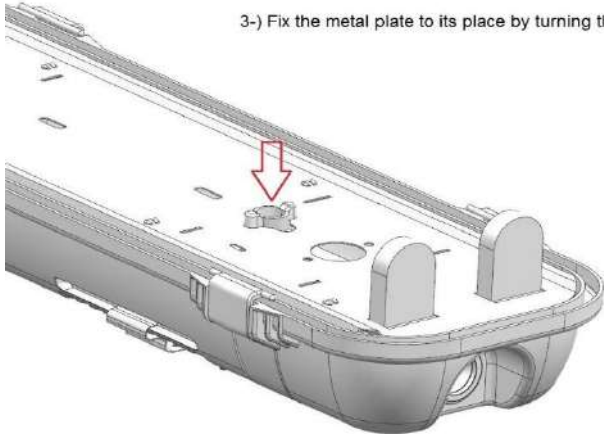
1-) Fix the hanging sheet metal to surface and push the body towards to sheet metal to fix it to its place until you hear the click sound.



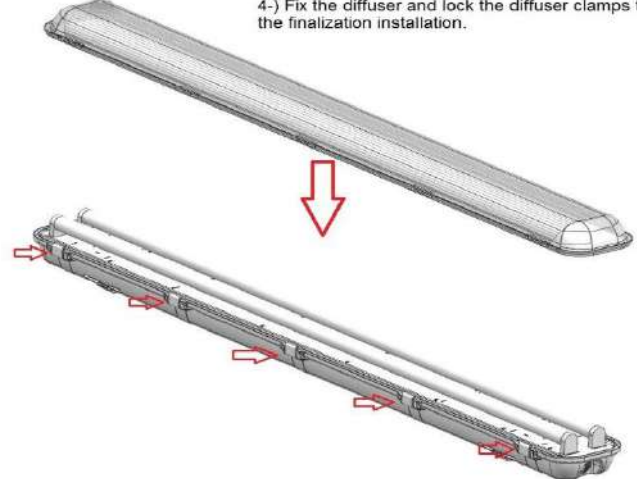
2-) Put the energy cable through the gasket and connect to the terminal.



3-) Fix the metal plate to its place by turning the clamps.



4-) Fix the diffuser and lock the diffuser clamps to the finalization installation.



T5 8698
EN 60598-2-1

TSE 18ATEX0083

EN 60076-0:2012+A11:2013
EN 60076-15:2010

