

LED & T5 Waterproof / Please read the instruction manual carefully before mounting!

Product Type: WATERPROOF

Product No: EAEB

Lamp Type: LED

- 220V / 50 Hz
- Polycarbonate Body

Application Areas:

- Corridors
- Parking Area
- All Outdoor Areas
- All Indoor Areas

Disposal – Enviromental Protection

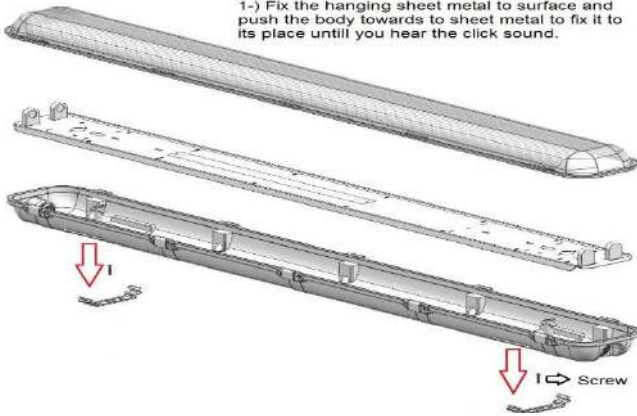
Don't throw old electrical products into the household waste. Recycle where facilities exist. Contact your local authorities or dealer for advice.



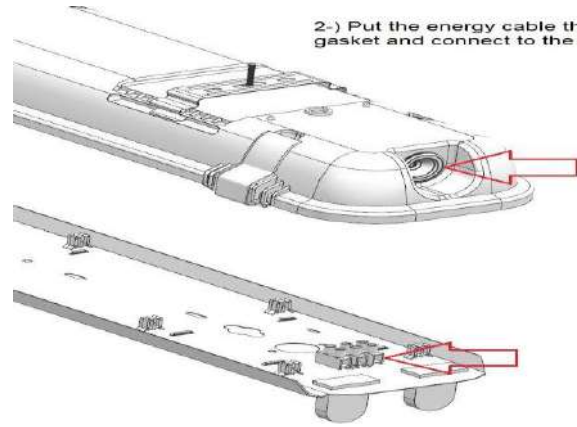
Technical Data:

- EAEB
- 2X28W / 2X54 / 2X35 / 2X49 / 2X80
- IP65
- Electronic Ballast

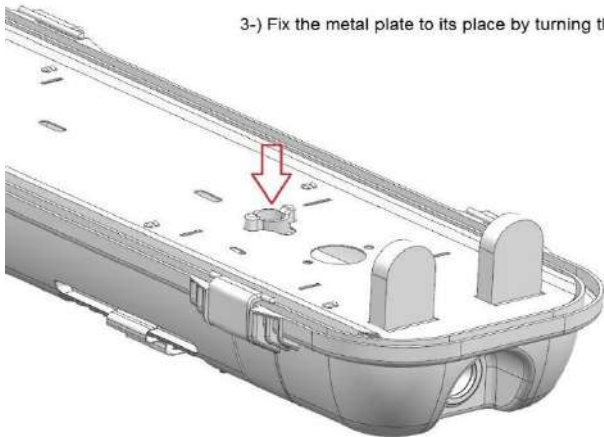
1-) Fix the hanging sheet metal to surface and push the body towards to sheet metal to fix it to its place until you hear the click sound.



2-) Put the energy cable through the gasket and connect to the terminal.



3-) Fix the metal plate to its place by turning the clamps.



4-) Fix the diffuser and lock the diffuser clamps to the finalization installation.

